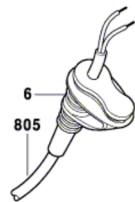
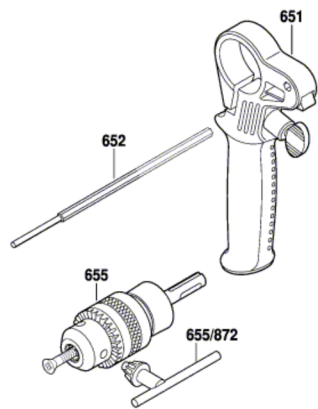
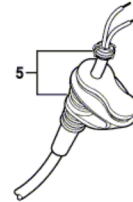


3 603 CA9 301  
Issue | 17-02-20 **Fig./Abb. 2**  
Stand



alt/old



neu/new

Pos. 6	1	1619P09295
Pos. 12	2	1617328032
Pos. 805	1	3607030489

Only for 3603CA9300, 301, 320, 321

Modifications reserved  
Änderungen vorbehalten  
Modifications réservées  
Salvo modificaciones