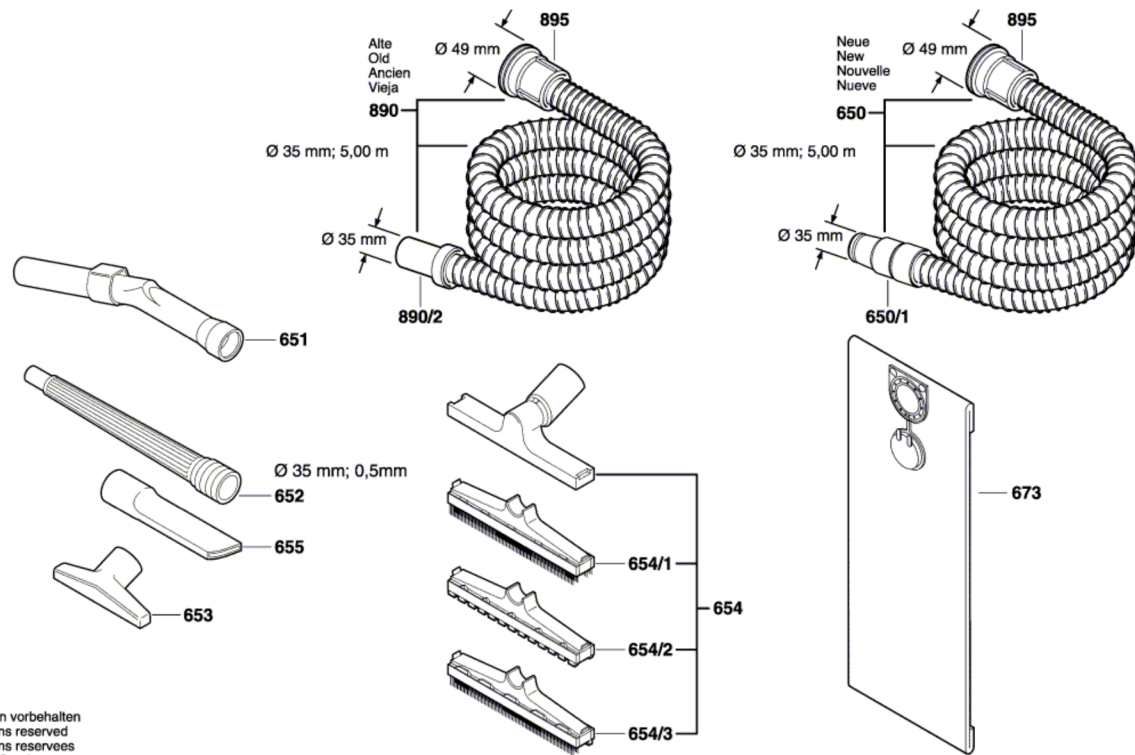


0 601 988 103
 Stand } DB-10
 Issue } 11-07-20

Fig. /Abb. 3

System Ø 35mm



Änderungen vorbehalten
 Modifications reserved
 Modifications reserves
 Salvo modificaciones