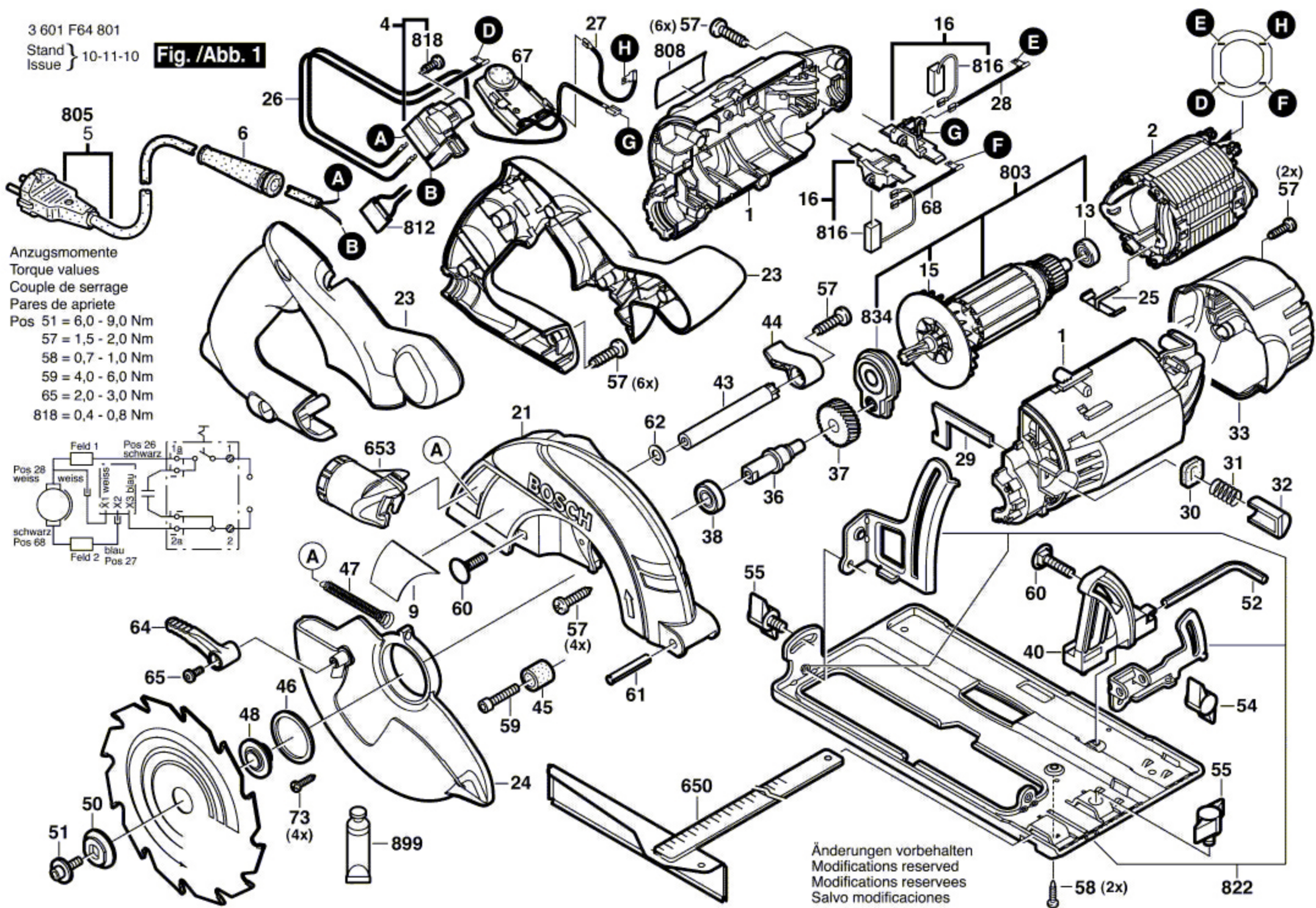


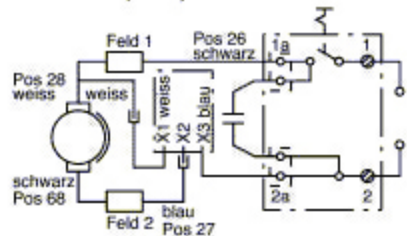
3 601 F64 801

Stand } 10-11-10
Issue }

Fig. /Abb. 1



Anzugsmomente
Torque values
Couple de serrage
Pares de apriete
Pos 51 = 6,0 - 9,0 Nm
57 = 1,5 - 2,0 Nm
58 = 0,7 - 1,0 Nm
59 = 4,0 - 6,0 Nm
65 = 2,0 - 3,0 Nm
818 = 0,4 - 0,8 Nm



Änderungen vorbehalten
Modifications reserved
Modifications reserves
Salvo modificaciones