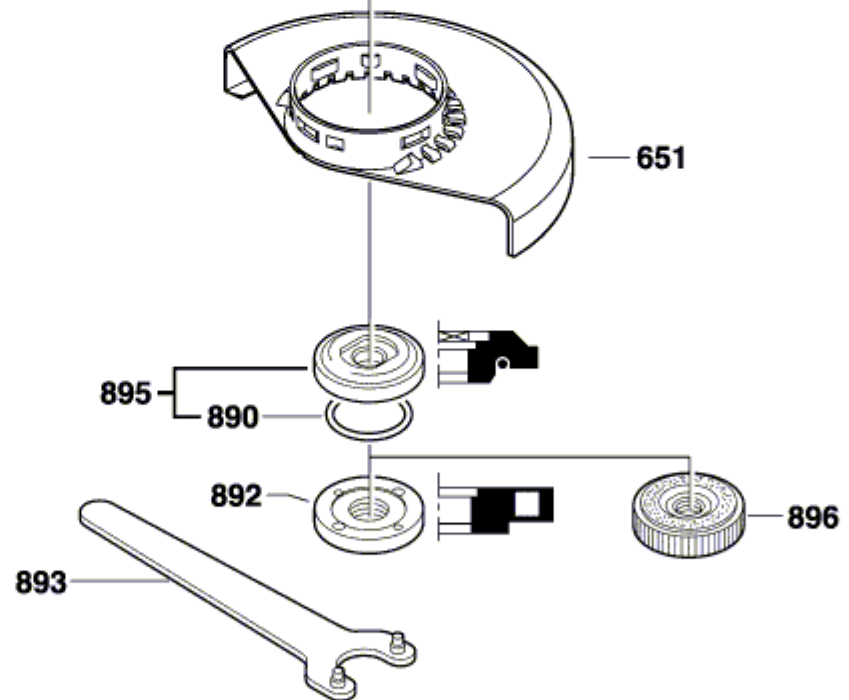
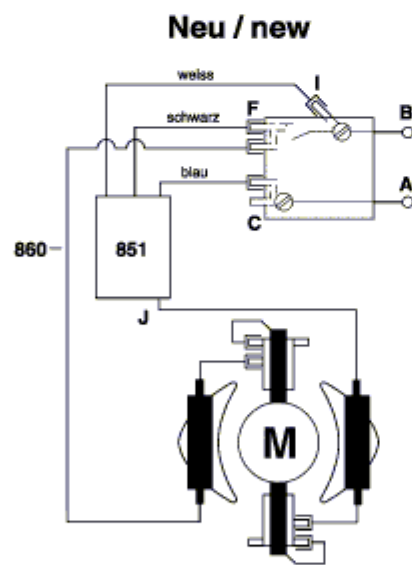
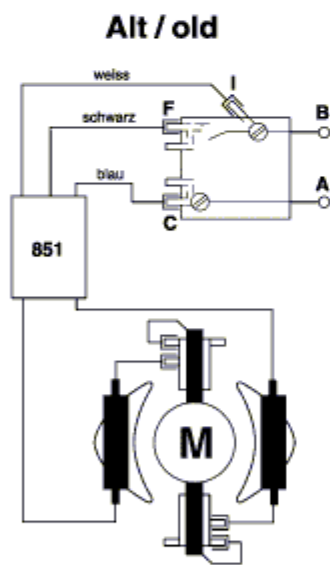
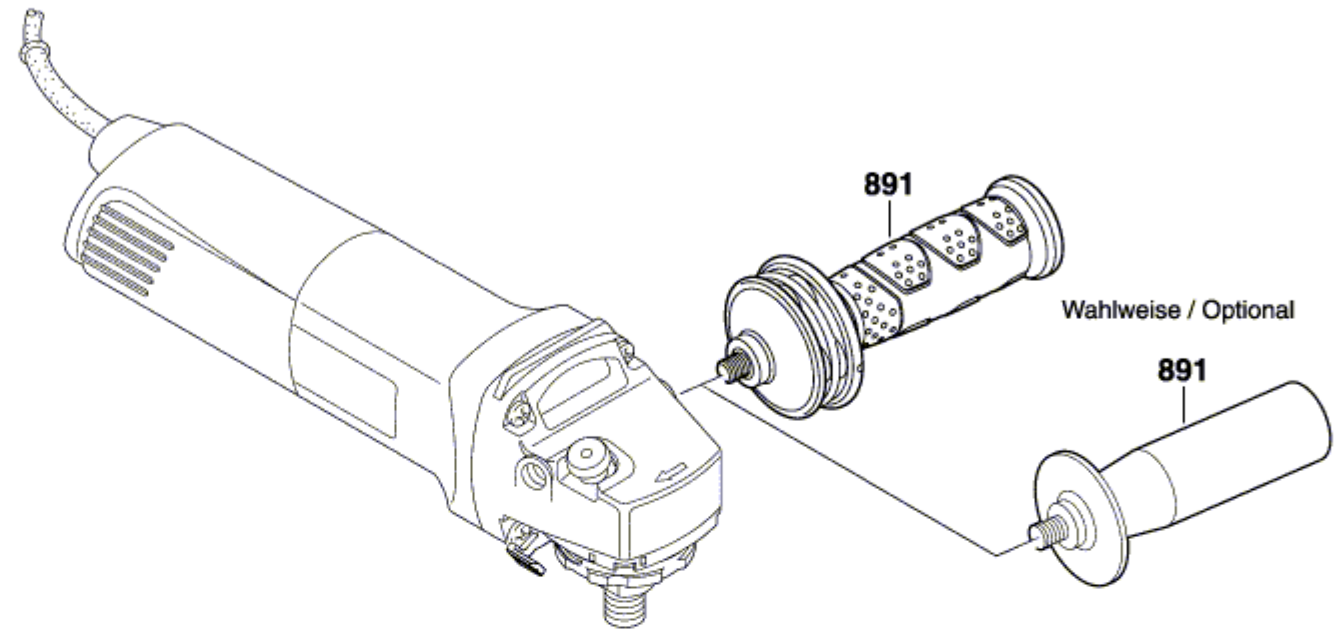


3 601 H24 000

Stand } 08-05
Issue } 07-02-12

Fig./Abb. 2



Änderungen vorbehalten
Modifications reserved
Modifications reserves
Salvo modificaciones