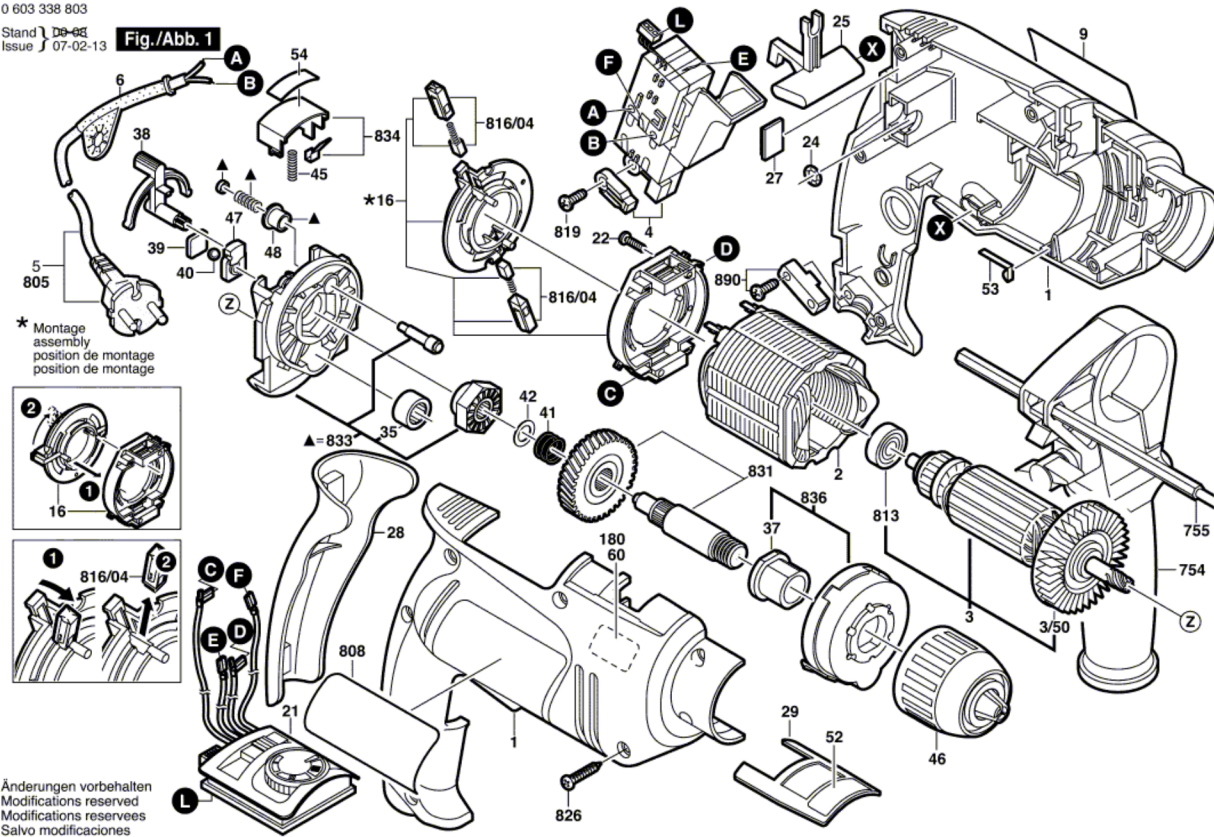


0 603 338 803

Stand 1 08-08
Issue 1 07-02-13

Fig./Abb. 1



* Montage
assembly
position de montage
position de montage

Änderungen vorbehalten
Modifications reserved
Modifications reserves
Salvo modificaciones