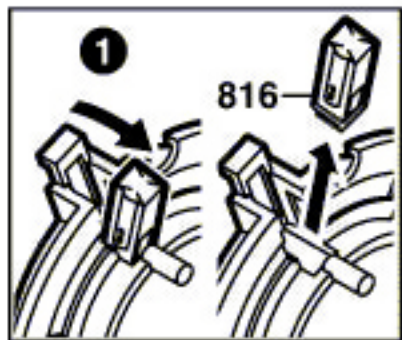
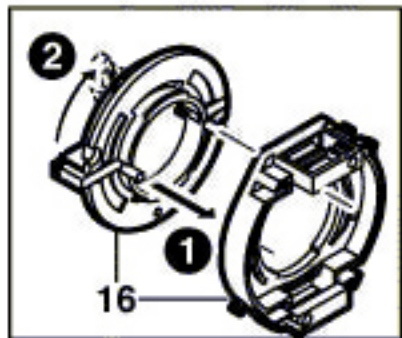


0 603 386 803

Stand } 06-03-22
Issue } 06-03-23

Fig./Abb. 1

* Montage
assembly
position de montage
position de montage



Änderungen vorbehalten
Modifications reserved
Modifications reserves
Salvo modificaciones

