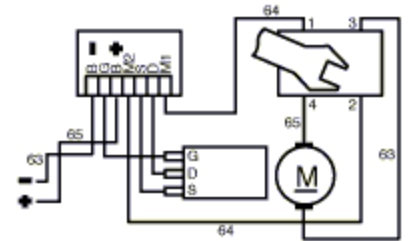
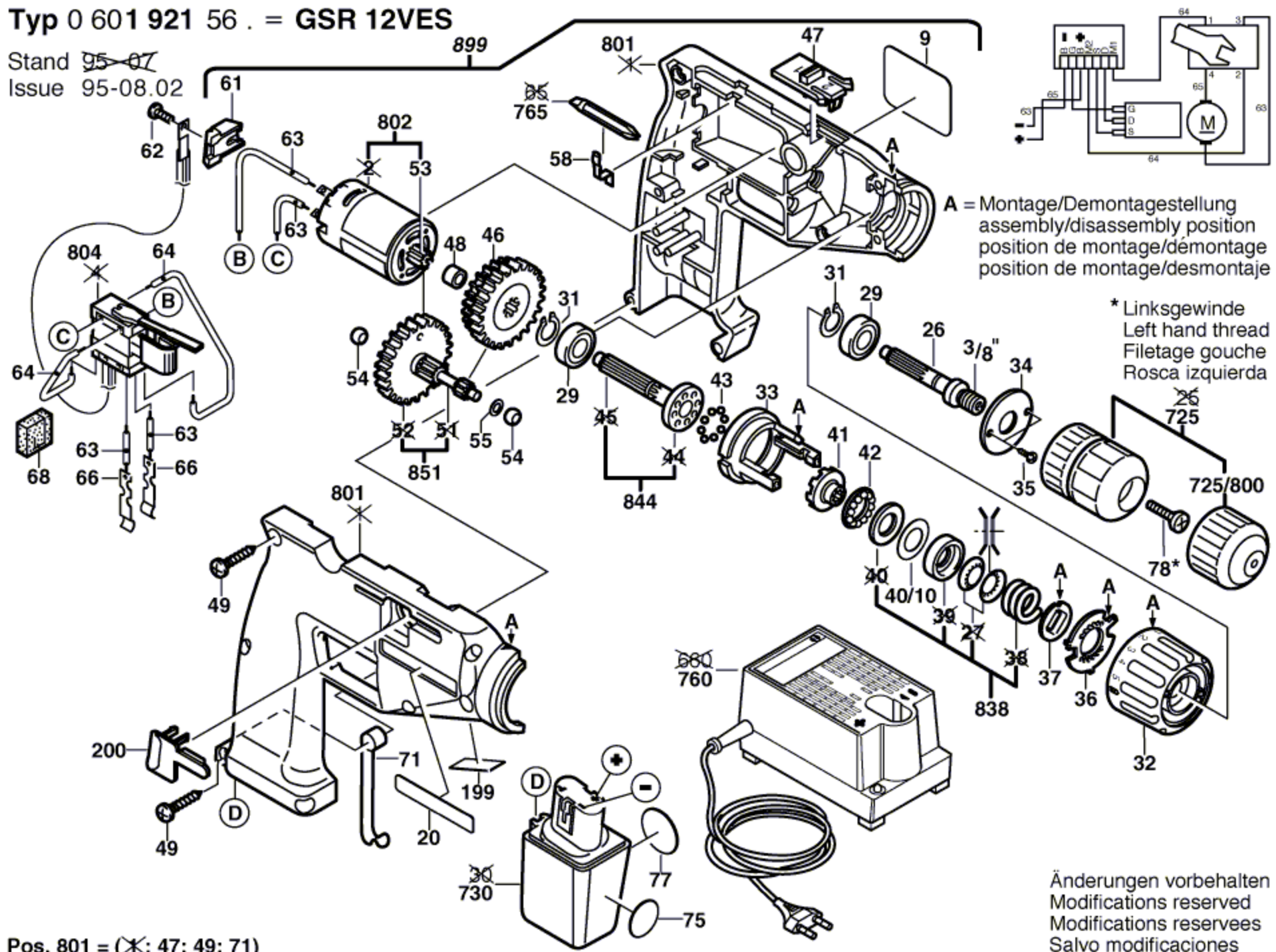


Typ 0 601 921 56 . = GSR 12VES

Stand ~~95-07~~
Issue 95-08.02



A = Montage/Demontagestellung
assembly/disassembly position
position de montage/démontage
position de montage/desmontaje

* Linksgewinde
Left hand thread
Filetage gauche
Rosca izquierda

Pos. 801 = (X; 47; 49; 71)

Änderungen vorbehalten
Modifications reserved
Modifications reserves
Salvo modificaciones