

GRAPHITE

■ EXPLORE YOUR SKILLS

58G909 ENGINE

FIG.01 CRANKCASE & COVER

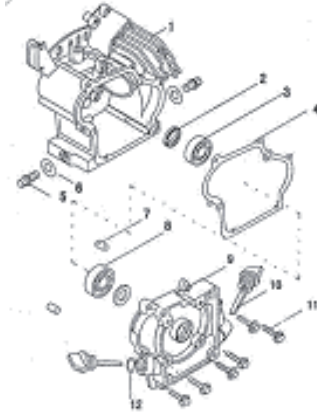


FIG.02 CYLINDER HEAD & CYLINDER HEAD COVER

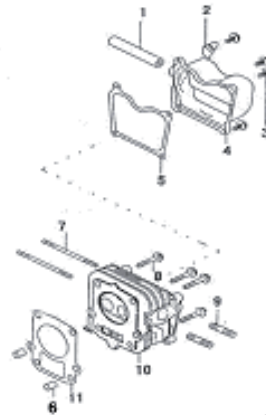


FIG.03 CRANKSHAFT & PISTON

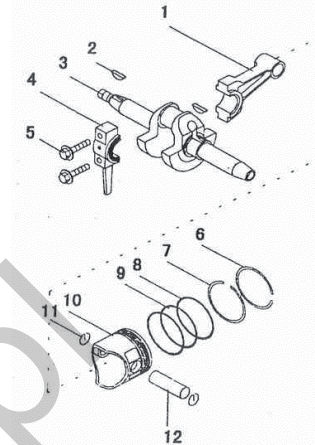


FIG.04 CARBURETOR & AIR CLEANER

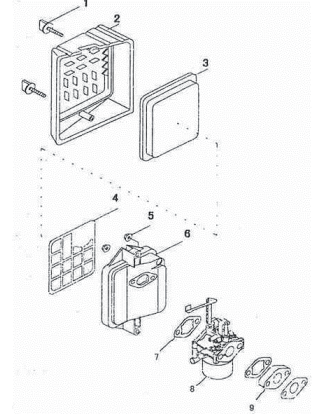


FIG.05 VALVE SYSTEM

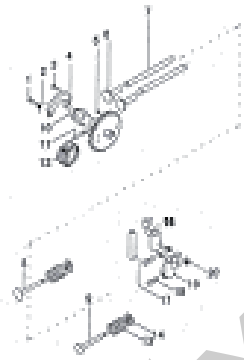


FIG.06 STARTER SYSTEM

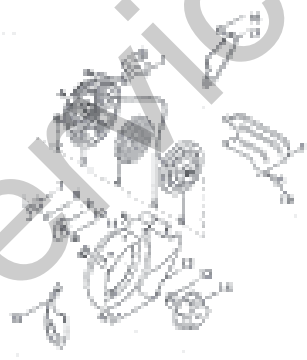


FIG.07 REGULATE SYSTEM

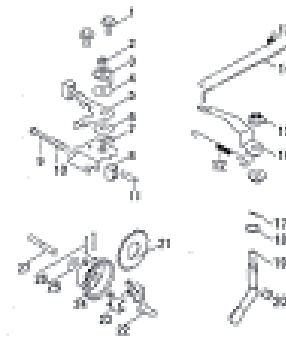


FIG.08 IGNITION SYSTEM

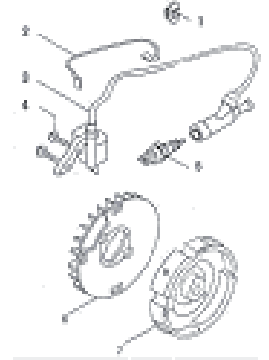


FIG.09 FUEL TANK SYSTEM

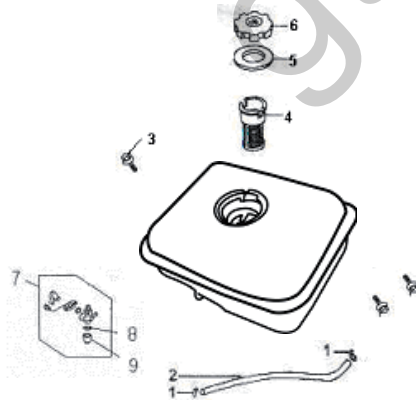


FIG.10 MUFFLER SYSTEM

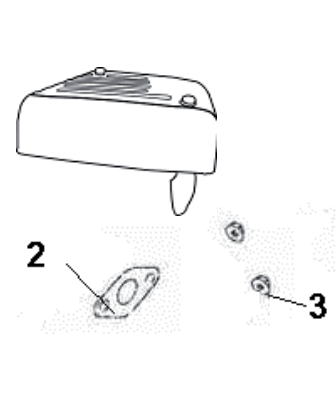


FIG.11 CONTROL PANEL SYSTEM

