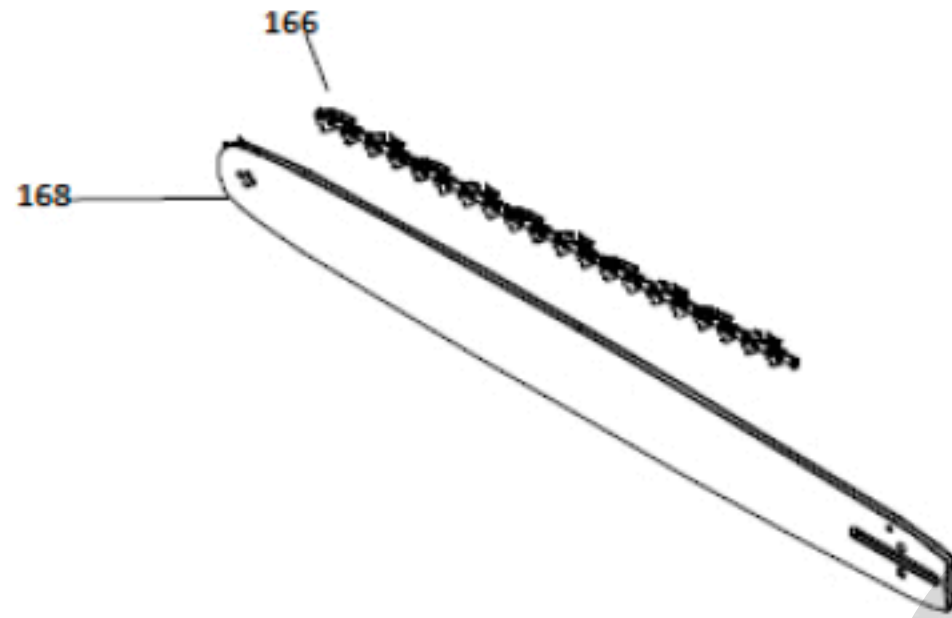
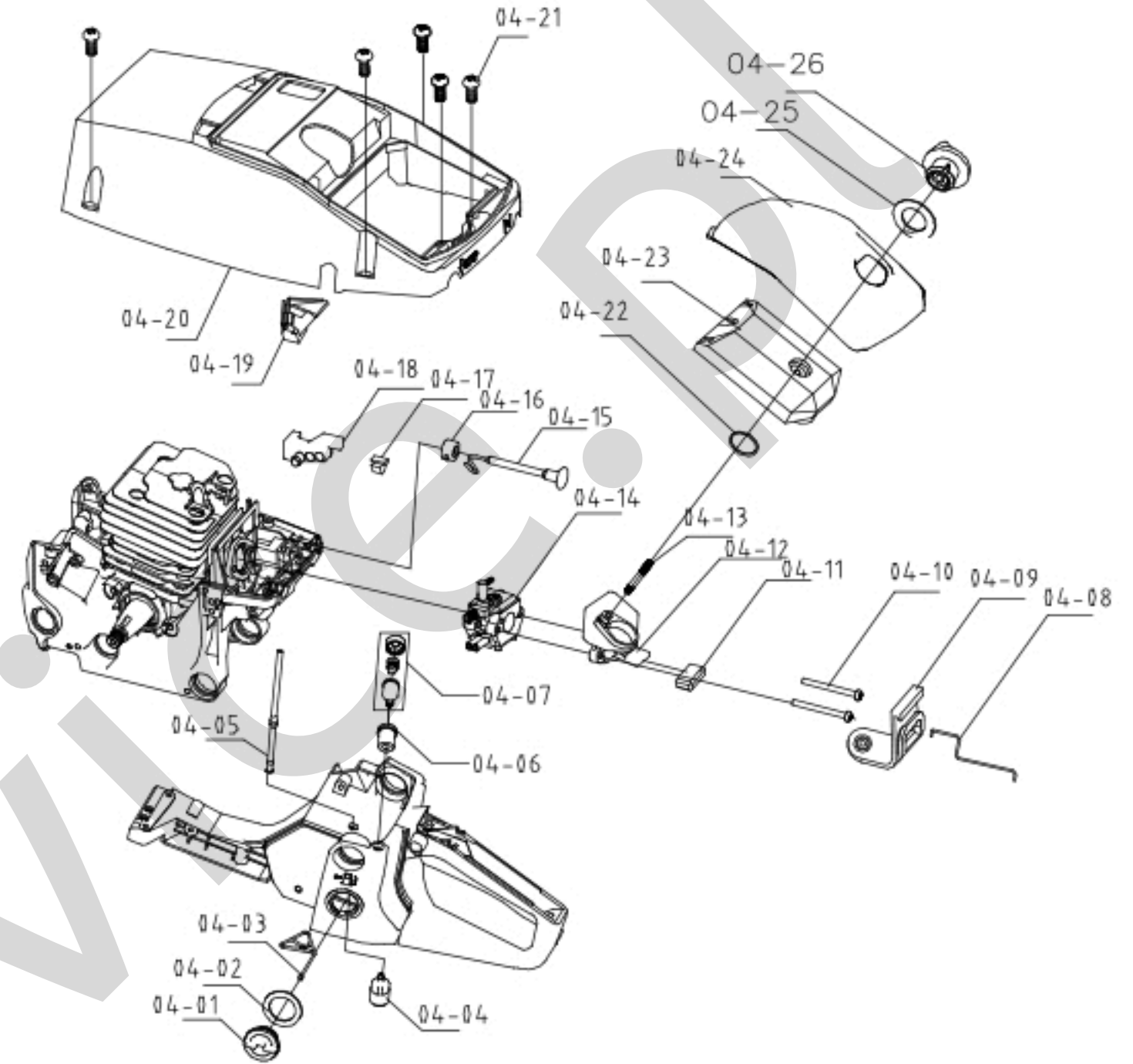
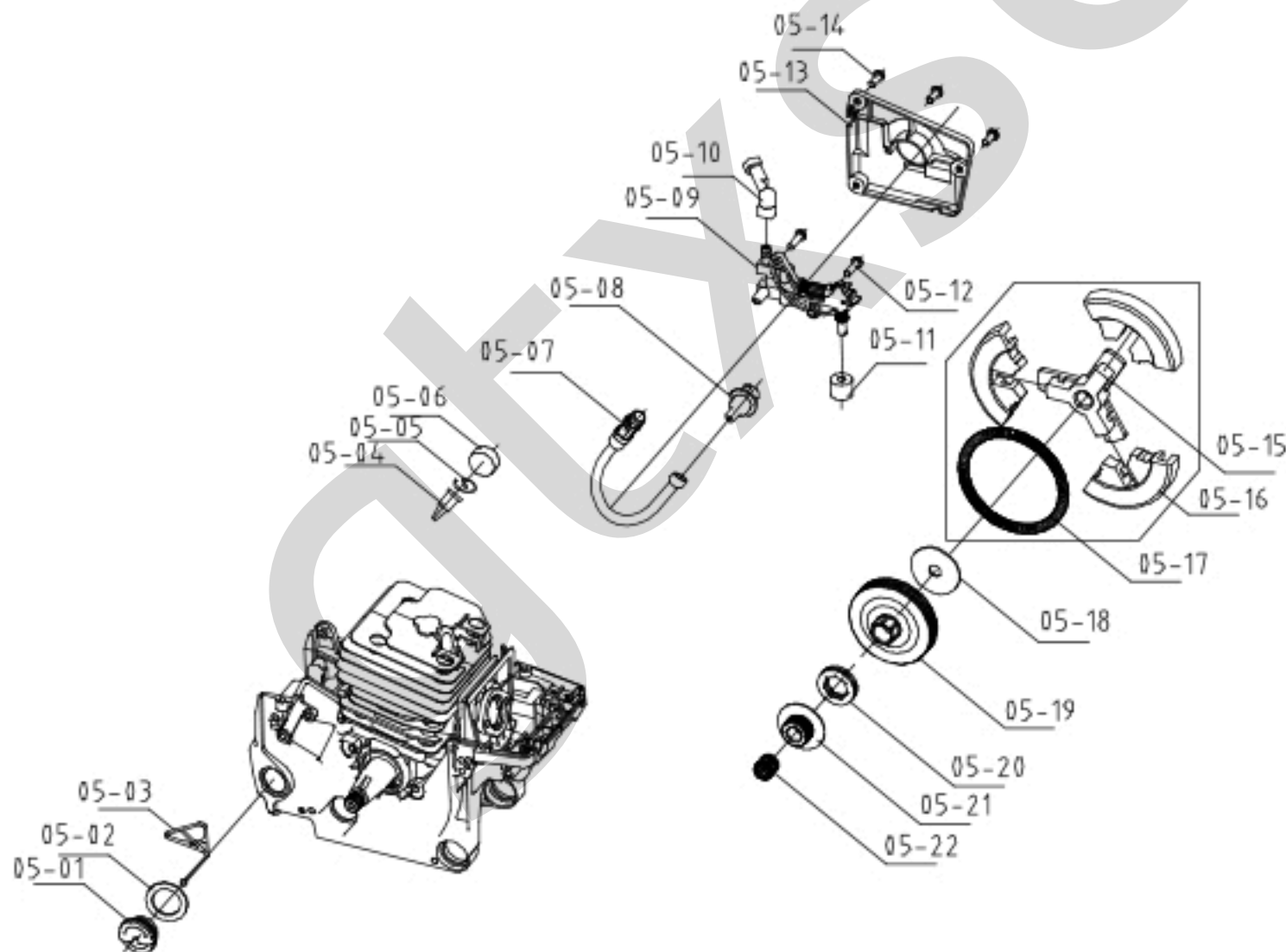


58G952

4. Air filter +Carburetor+Cylinder cover



5. Oil pump+ Clutch



6. Brake system

