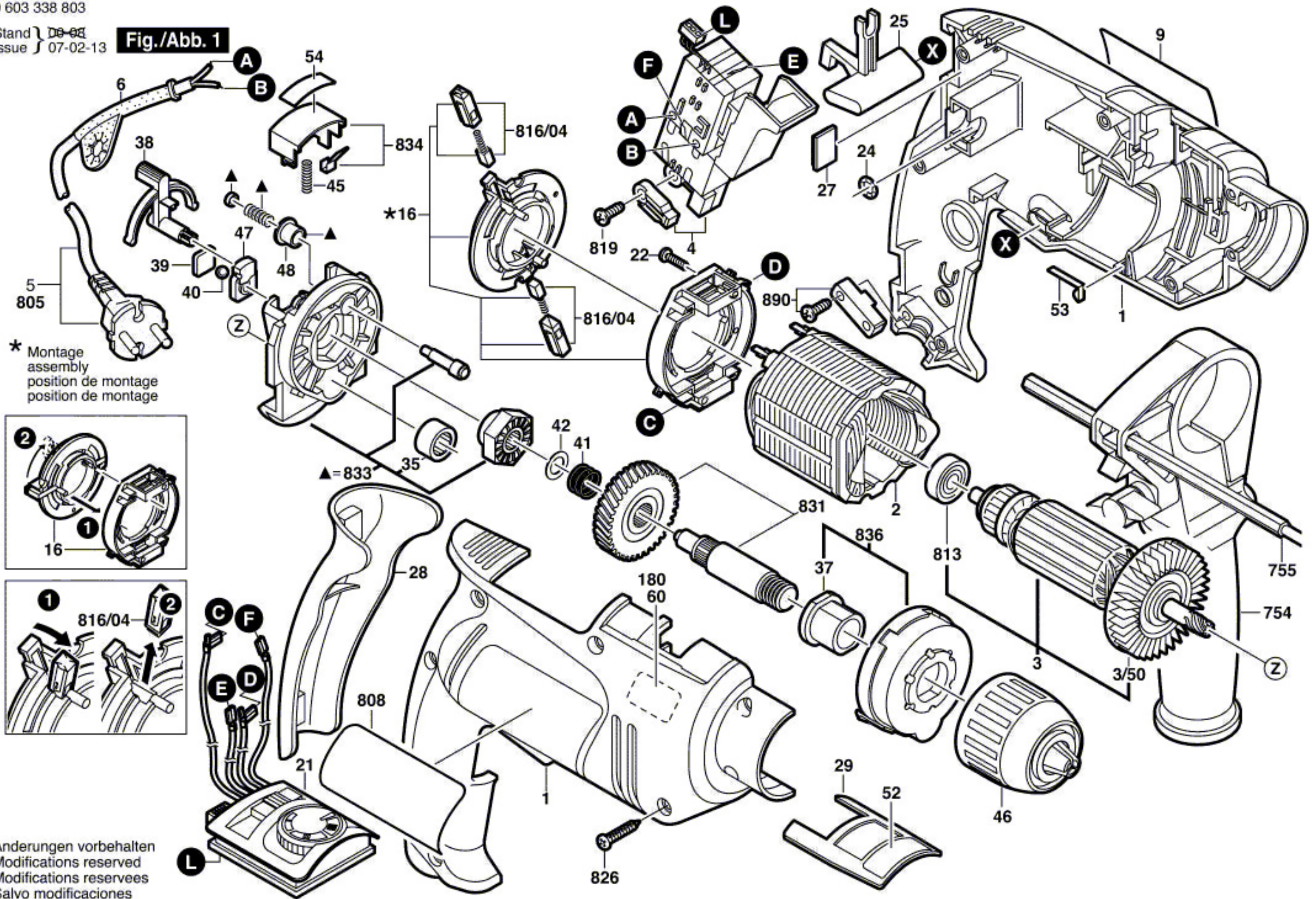


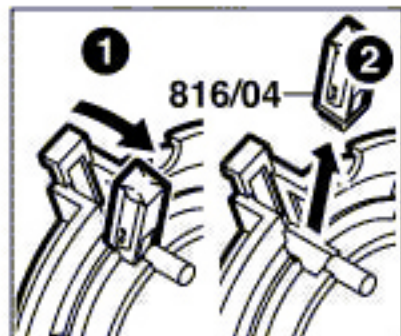
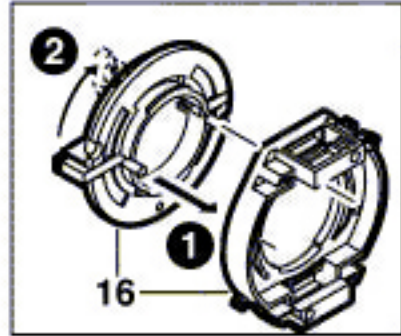
0 603 338 803

Stand } ~~DE-02~~  
Issue } 07-02-13

**Fig./Abb. 1**



\* Montage  
assembly  
position de montage  
position de montage



Änderungen vorbehalten  
Modifications reserved  
Modifications reserves  
Salvo modificaciones