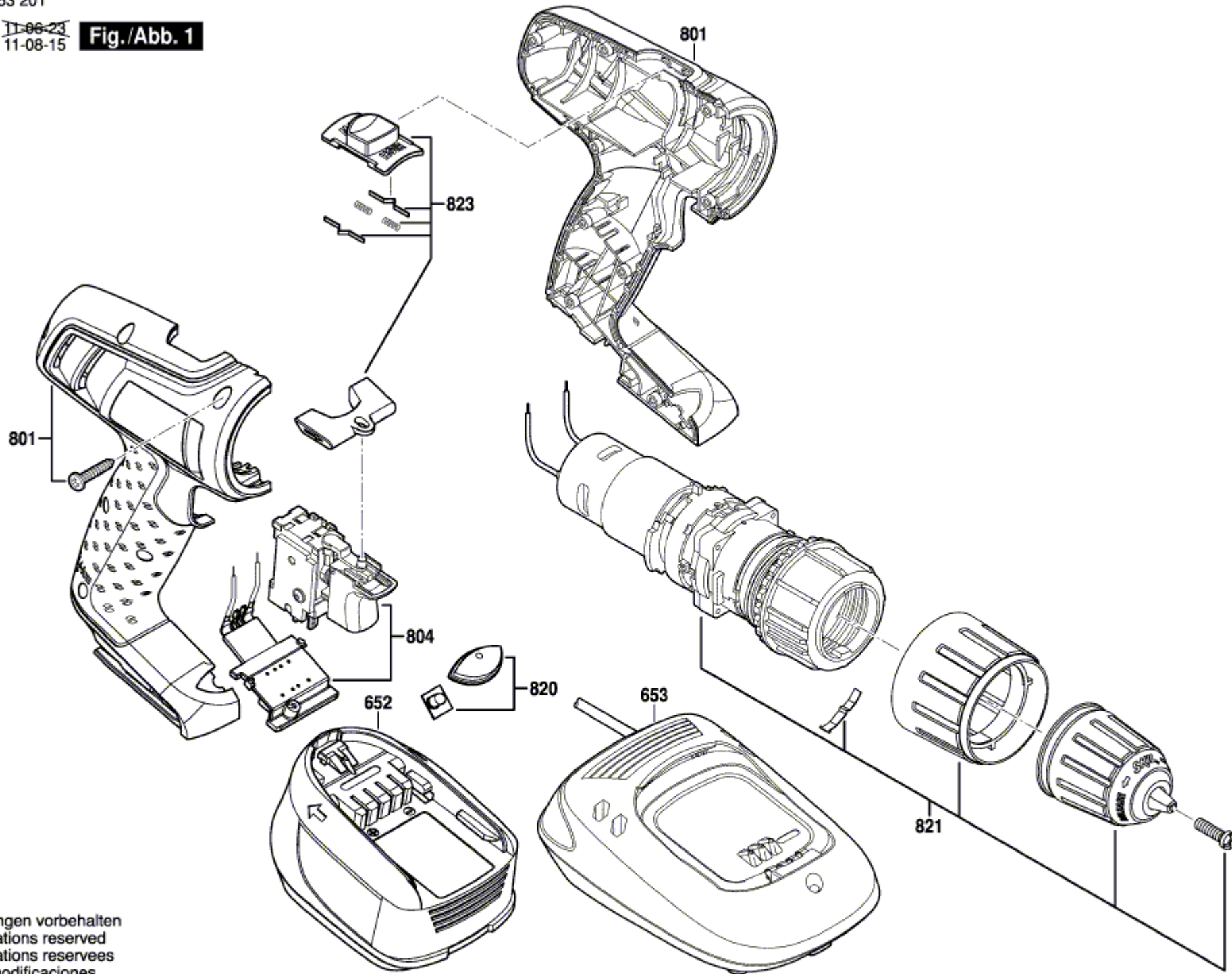


F 015 253 201

Stand } ~~11-06-23~~
Issue } 11-08-15

Fig./Abb. 1



Änderungen vorbehalten
Modifications reserved
Modifications reserves
Salvo modificaciones