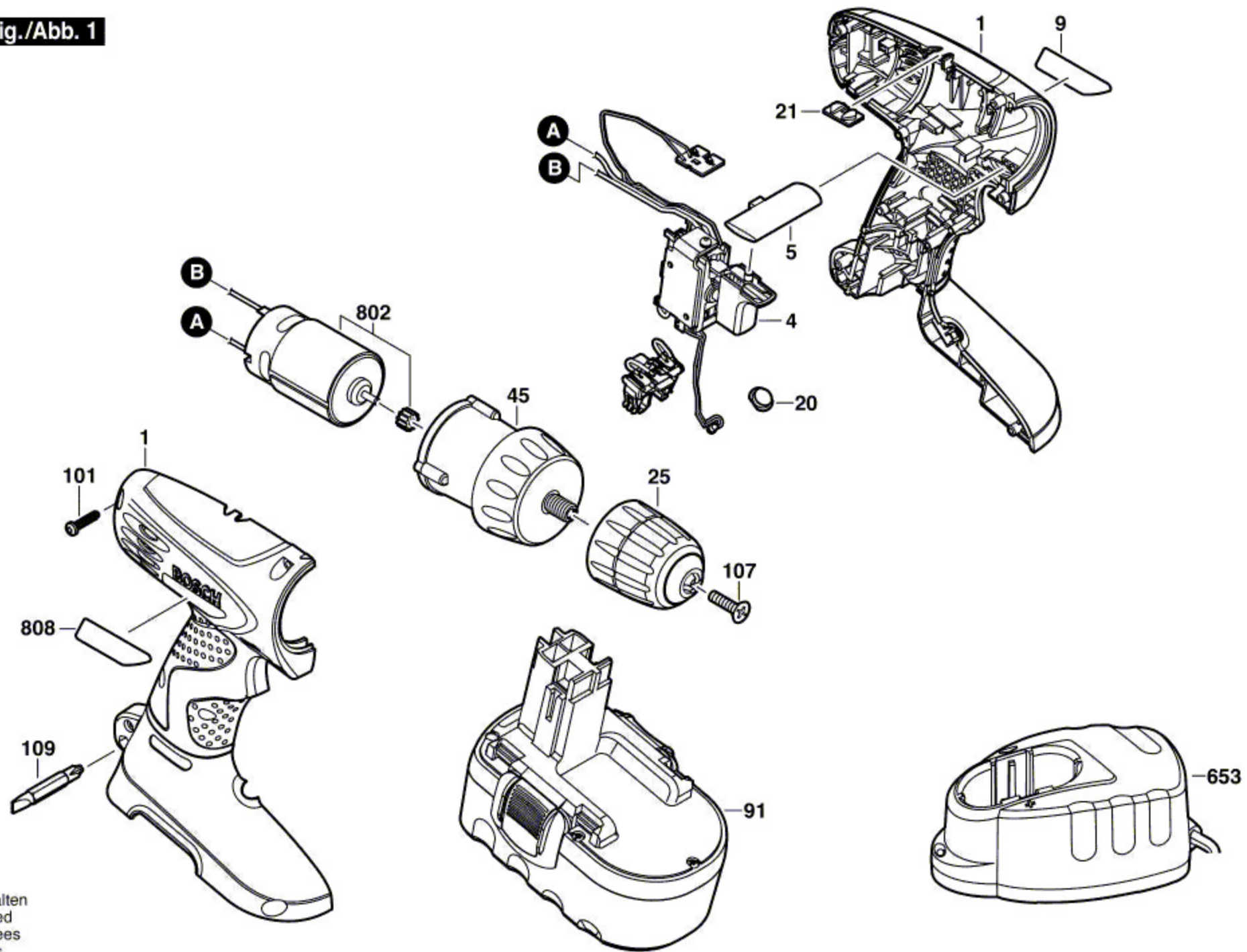


3 603 J55 300

Stand } ~~08-05~~
Issue } 08-12-03

Fig./Abb. 1



Änderungen vorbehalten
Modifications reserved
Modificacions reserves
Salvo modificaciones