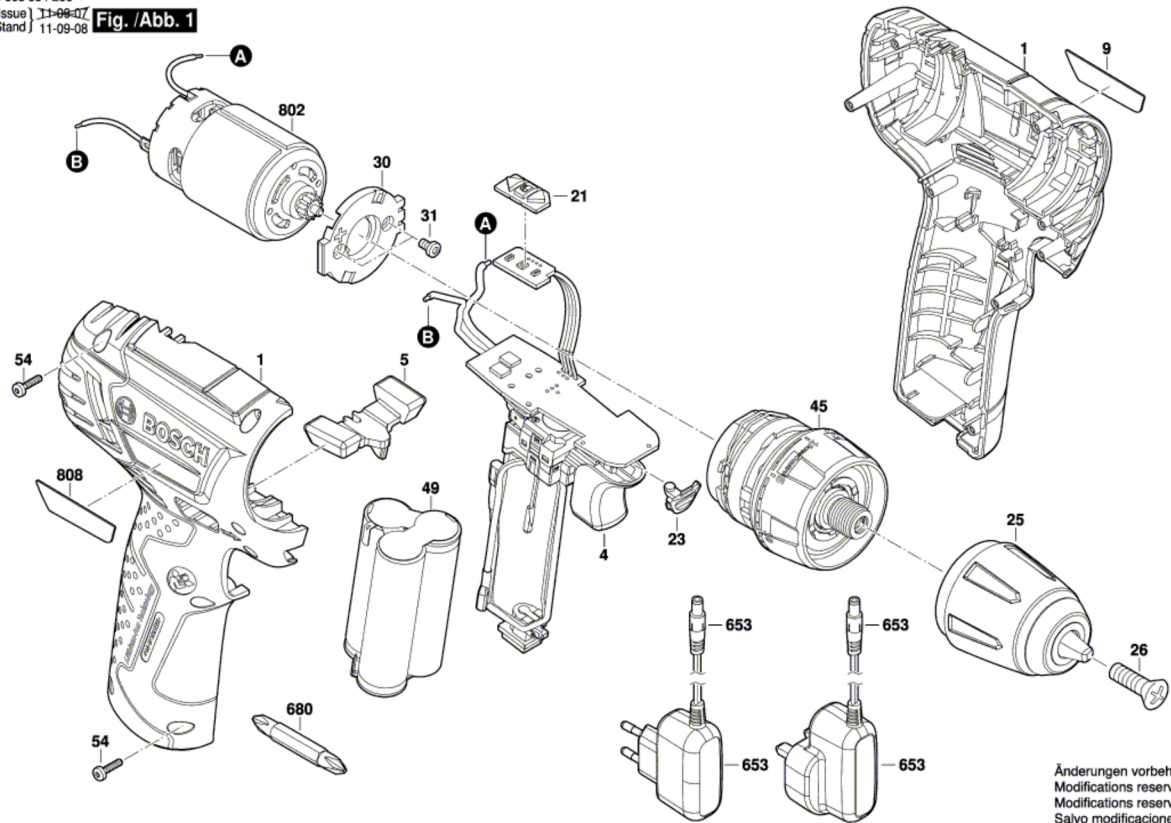


3 603 J54 200
Issue | 11-09-07
Stand | 11-09-08 **Fig./Abb. 1**



Änderungen vorbehalten
Modifications reserved
Modifications reserves
Salvo modificaciones