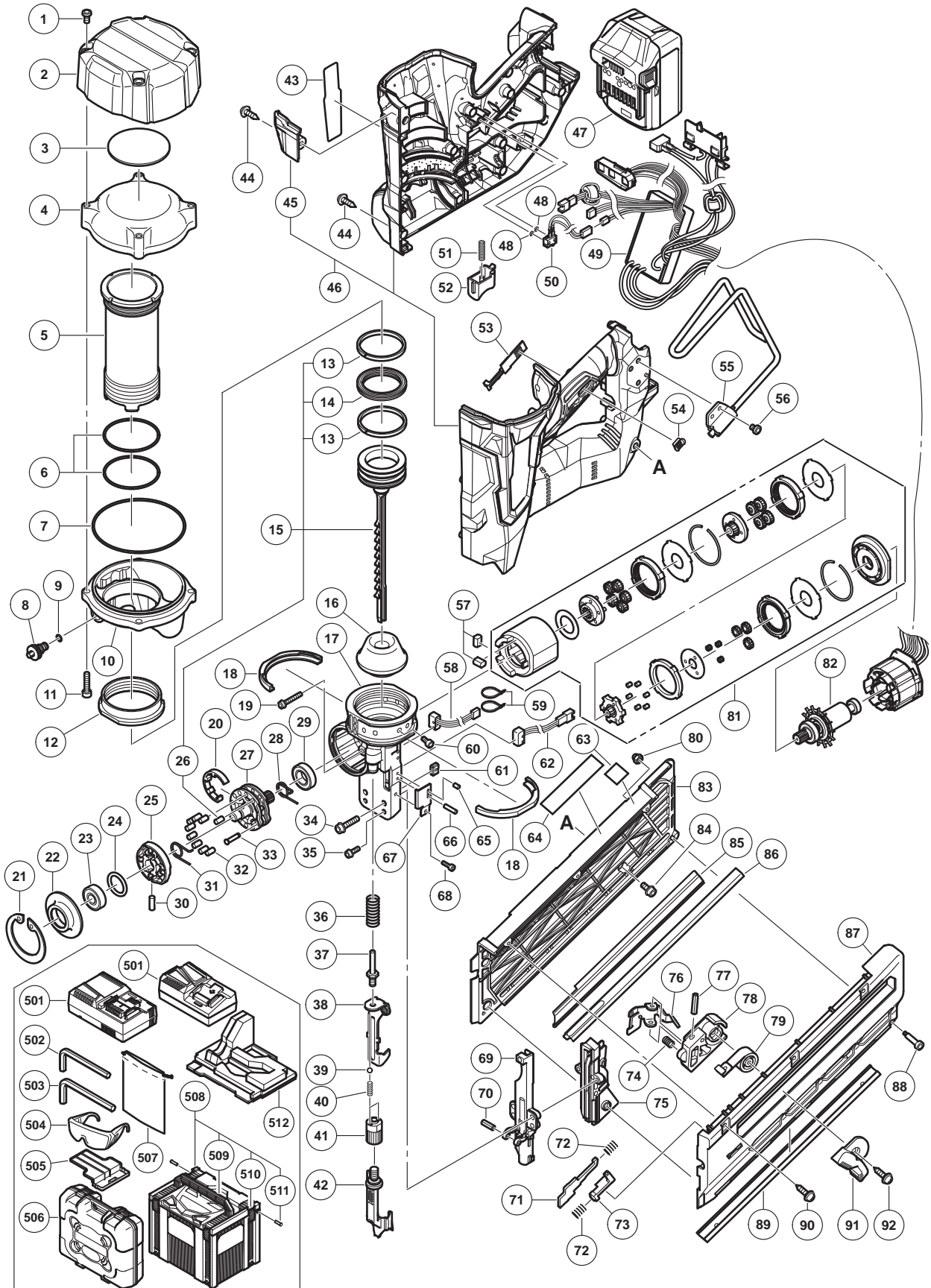


PNEUMATIC TOOL PARTS LIST

CORDLESS STRIP NAILER Model NR 1890DBCL

2017-9-26
(E1)



PARTS

NR 1890DBCL

ITEM NO.	CODE NO.	DESCRIPTION	NO. USED	REMARKS
1	372298	HEX. SOCKET HD. BOLT M6	4	
2	372296	TOP COVER	1	
3	371012	RUBBER CUSHION (C)	1	
4	372337	CHAMBER COVER	1	
5	372335	CYLINDER	1	
6	372336	O-RING (I.D 55.5)	2	
7	372334	O-RING (I.D 94.5)	1	
8	371039	CHARGE CAP	1	
9	872822	O-RING (S-5)	1	
10	372388	CHAMBER BASE	1	
11	372338	NYLOCK BOLT M6	4	
12	372339	SPECIAL NUT M58	1	
13	372320	SLIDE RING	2	
14	372319	X-RING	1	
15	372318	PISTON ASS'Y	1	INCLUD.13,14,26
16	372317	PISTON BUMPER	1	
17	372988	NOSE	1	
18	372343	RUBBER CUSHION (A)	2	
19	372310	NYLOCK BOLT (W/FLANGE) M4 X 25	1	
20	372330	FELT (P)	1	
21	372332	RETAINING RING D52	1	
22	372989	BEARING HOLDER	1	
23	6000VV	BALL BEARING 6000VVCMP2L	1	
24	372329	O-RING (I.D 20.22)	1	
25	372327	POSITION DETECTOR	1	
26	372326	NEEDLE ROLLER D4.5	1	
27	372321	PIN WHEEL	1	
28	372323	WHEEL SPRING (B)	1	
29	6902VV	BALL BEARING 6902VV	1	
30	372328	NEEDLE ROLLER D3	1	
31	372322	WHEEL SPRING (A)	1	
32	372325	NEEDLE ROLLER D4	8	
33	372324	PIN (A)	1	
34	372355	NYLOCK BOLT (W/FLANGE) M5 X 22	2	
35	372311	NYLOCK BOLT (W/FLANGE) M4 X 14	2	
36	372306	PUSHING LEVER SPRING	1	
37	372316	SPECIAL BOLT M6	1	
38	372305	PUSHING LEVER (B)	1	
39	959148	STEEL BALL D3.175 (10 PCS.)	2	
40	372315	ADJUSTER SPRING	2	
41	372314	ADJUSTER	1	
42	372308	PUSHING LEVER (A)	1	
43		NAME PLATE	1	
44	301653	TAPPING SCREW (W/FLANGE) D4 X 20 (BLACK)	14	
45	372297	HOUSING (C)	1	
46	372987	HOUSING ASS'Y	1	INCLUD.45
* 47	338891	BATTERY BSL 1860 (EUROPE,AUS,NZL)	2	
* 47	335790	BATTERY BSL 1850 (EUROPE,AUS,NZL)	2	
* 47	339783	BATTERY BSL 1830C (EUROPE,AUS,NZL)	2	
48	371020	O-RING (I.D 2.5)	2	

PARTS

NR 1890DBCL

ITEM NO.	CODE NO.	DESCRIPTION	NO. USED	REMARKS
* 49	372292	WIRING	1	FOR EUROPE
* 49	372291	WIRING	1	FOR AUS
* 49	372293	WIRING	1	FOR NZL
50	371019	SWITCH CABLE (A)	1	
51	332000	SPRING (T)	1	
52	371021	TRIGGER	1	
53	331790	LEVER (C)	1	
54	326276	LEVER (A)	1	
55	372356	HOOK	1	
56	331109	LOW HEAD HEX. SOCKET BOLT M4 X 8	3	
57	372342	BUMPER (B)	2	
58	372302	SENSOR (C)	1	
59	6696839	WIRE BAND	2	
60	372340	HEX. SOCKET HD. BOLT M5	1	
61	372313	GUIDE PLATE HOLDER	1	
62	372301	SENSOR (B)	1	INCLUD.38
* 63	372191	CAUTION LABEL (EU)	1	FOR EUROPE, GBR
* 64	371107	CAUTION LABEL	1	FOR AUS,NZL
65	372304	ROLL PIN D2.5	1	
66	878965	ROLL PIN D2.5 X 16	1	
67	372312	GUIDE PLATE (P)	1	
68	331184	NYLOCK HEX. SOCKET HD. BOLT M3	1	
69	372309	BLADE GUIDE (A)	1	
70	949685	ROLL PIN D3 X 20 (10 PCS.)	1	
71	372349	PUSHING LEVER STOPPER (A)	1	
72	372350	SPRING	2	
73	372351	PUSHING LEVER STOPPER (B)	1	
74	883687	SPRING	1	
75	372346	BLADE GUIDE (B)	1	
76	885323	NAIL FEEDER (A)	1	
77	949506	ROLL PIN D4 X 28 (10 PCS.)	1	
78	885324	NAIL FEEDER (B)	1	
79	885325	RIBBON SPRING	1	
80	372353	CAP NUT M3	1	
81	372341	GEAR BOX	1	
82	361071	ROTOR	1	
83	372345	MAGAZINE COVER (B)	1	
84	372354	NYLOCK BOLT (W/FLANGE) M5	1	
85	372347	MAGAZINE PLATE	1	
86	885341	NAIL RAIL	1	
87	372344	MAGAZINE COVER (A)	1	
88	372352	STEP BOLT M3	1	
89	372348	MAGAZINE GUARD	1	
90	307811	TAPPING SCREW (W/FLANGE) D4 X 16 (BLACK)	3	
91	886246	FEEDER KNOB	1	
92	302089	TAPPING SCREW (W/FLANGE) D5 X 20 (BLACK)	1	

