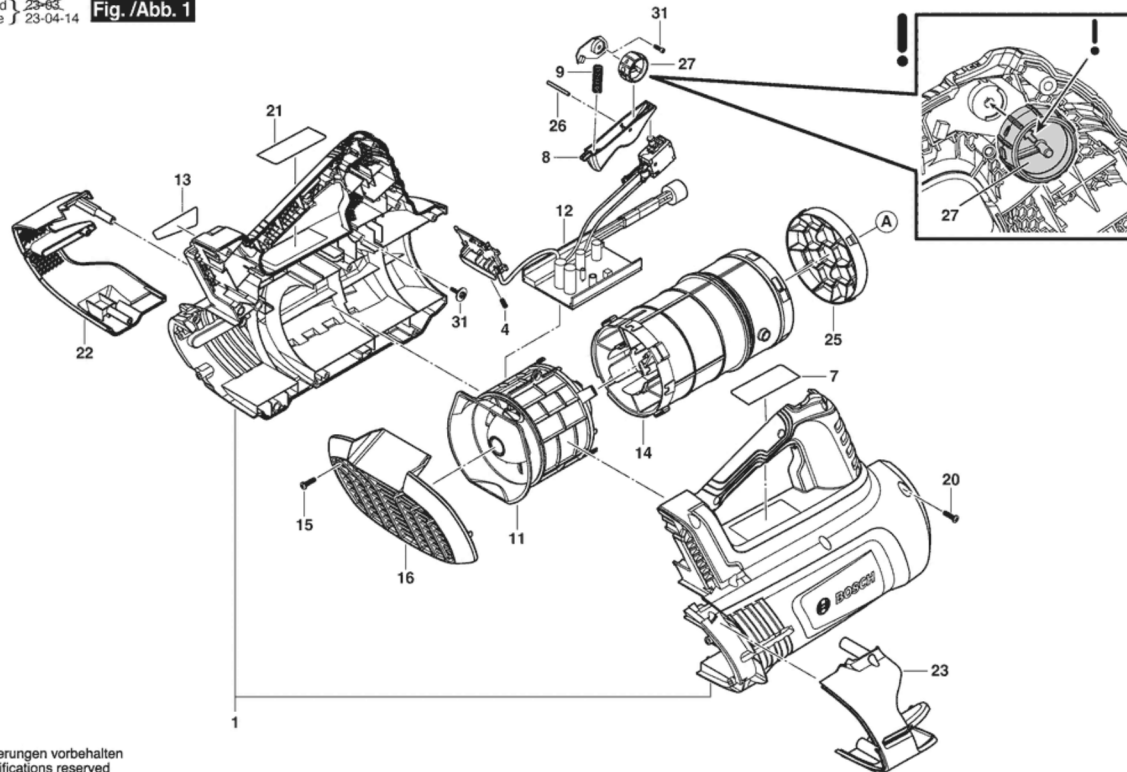


3 600 HD2 000
Stand 23-03
Issue 23-04-14

Fig. /Abb. 1



Änderungen vorbehalten
Modifications reserved
Modifications reserves
Salvo modificaciones