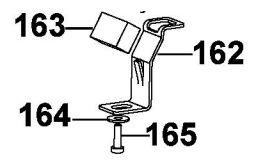
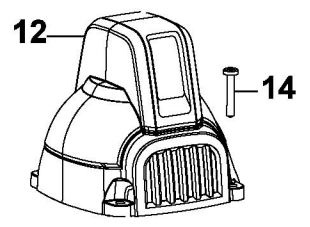
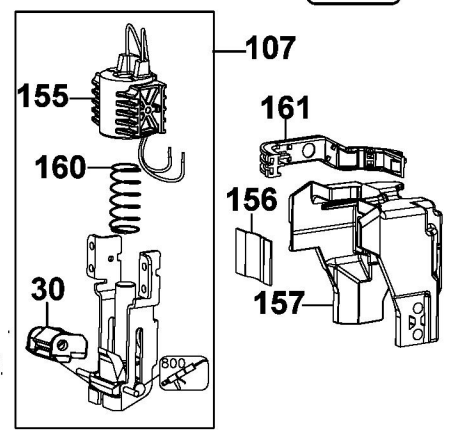


No Oil — 62



154 — 821



- 18V BRUSHLESS — 26
- 18V BRUSHLESS — 25
- 22

