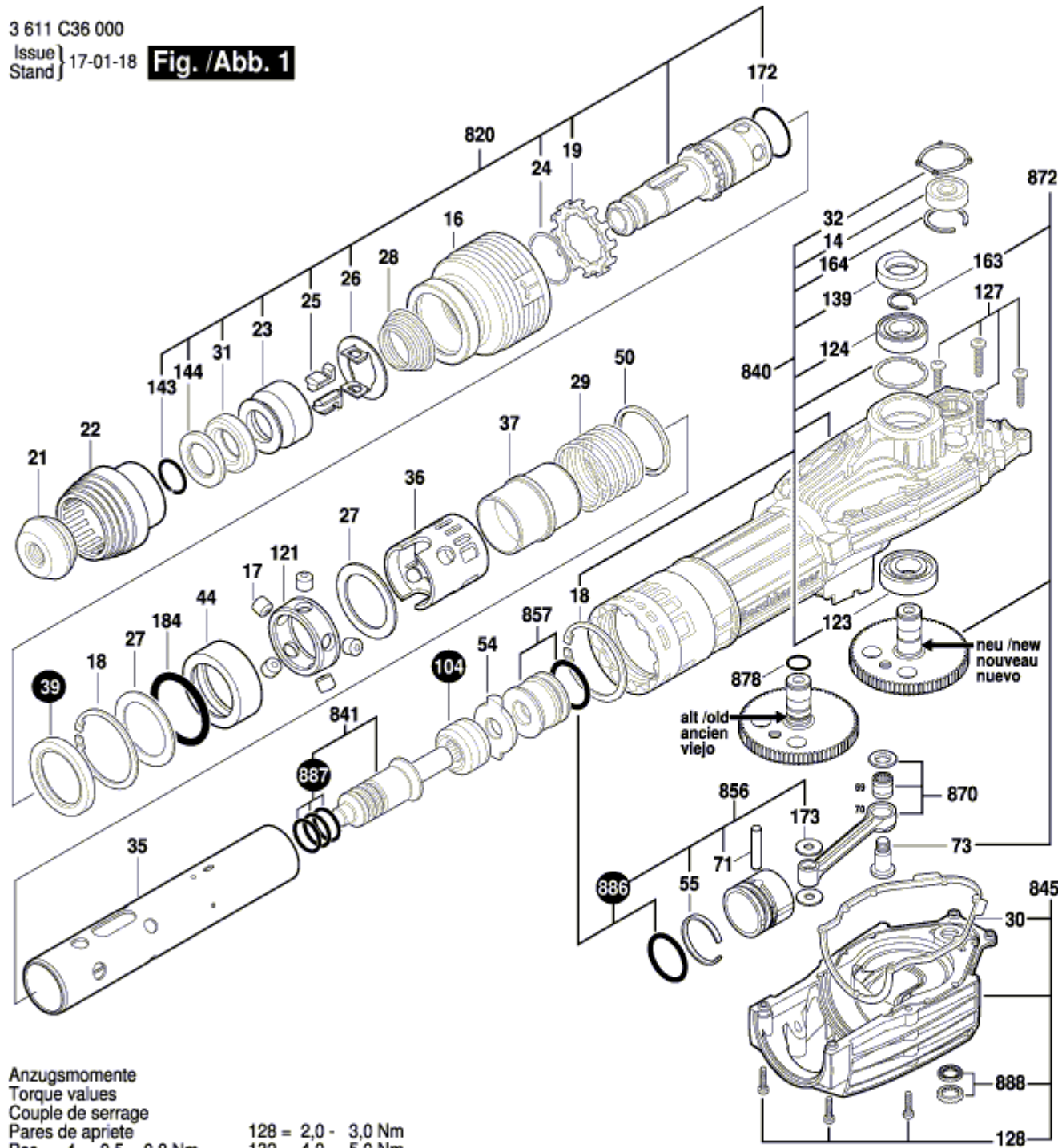


3 611 C36 000

Issue } 17-01-18
Stand }

Fig. /Abb. 1



Anzugsmomente
Torque values
Couple de serrage
Pares de apriete

Pos. 4 = 0,5 - 0,8 Nm
126 = 1,5 - 2,0 Nm
127 = 5,6 - 6,0 Nm

128 = 2,0 - 3,0 Nm
132 = 4,0 - 5,0 Nm
133 = 3,0 - 4,0 Nm
134 = 1,2 - 1,8 Nm

