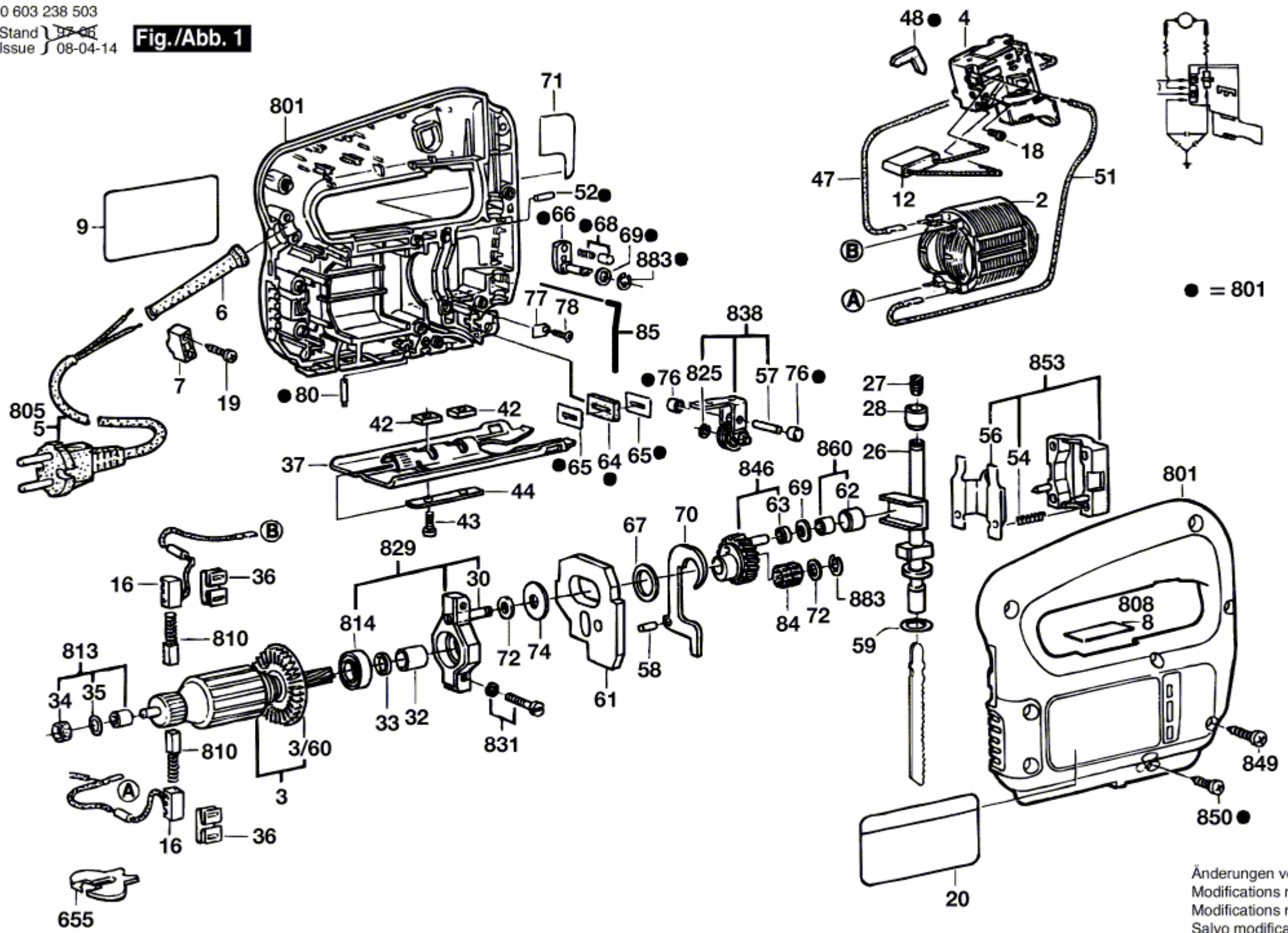


0 603 238 503
 Stand 97-06
 Issue 08-04-14

Fig./Abb. 1



● = 801

Änderungen vorbehalten
 Modifications reserved
 Modifications reserves
 Salvo modificaciones