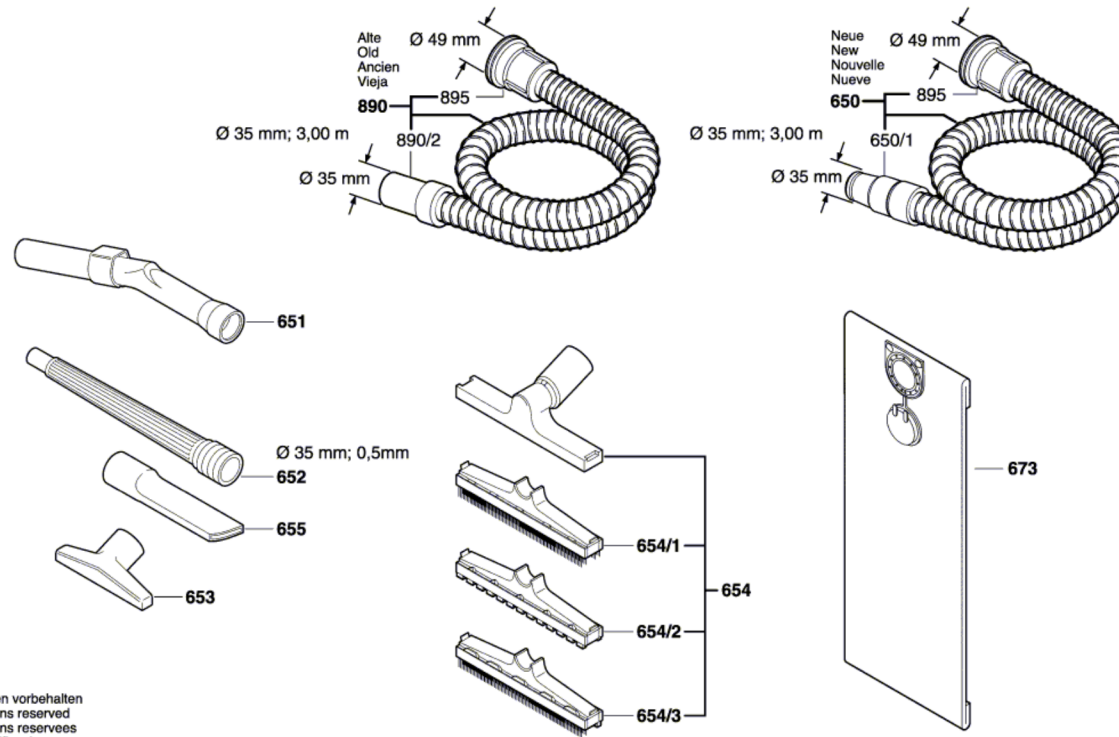


0 601 989 103
Stand } 10-06
Issue } 11-07-20

Fig./Abb. 3

System Ø 35mm



Änderungen vorbehalten
Modifications reserved
Modifications reserves
Salvo modificaciones