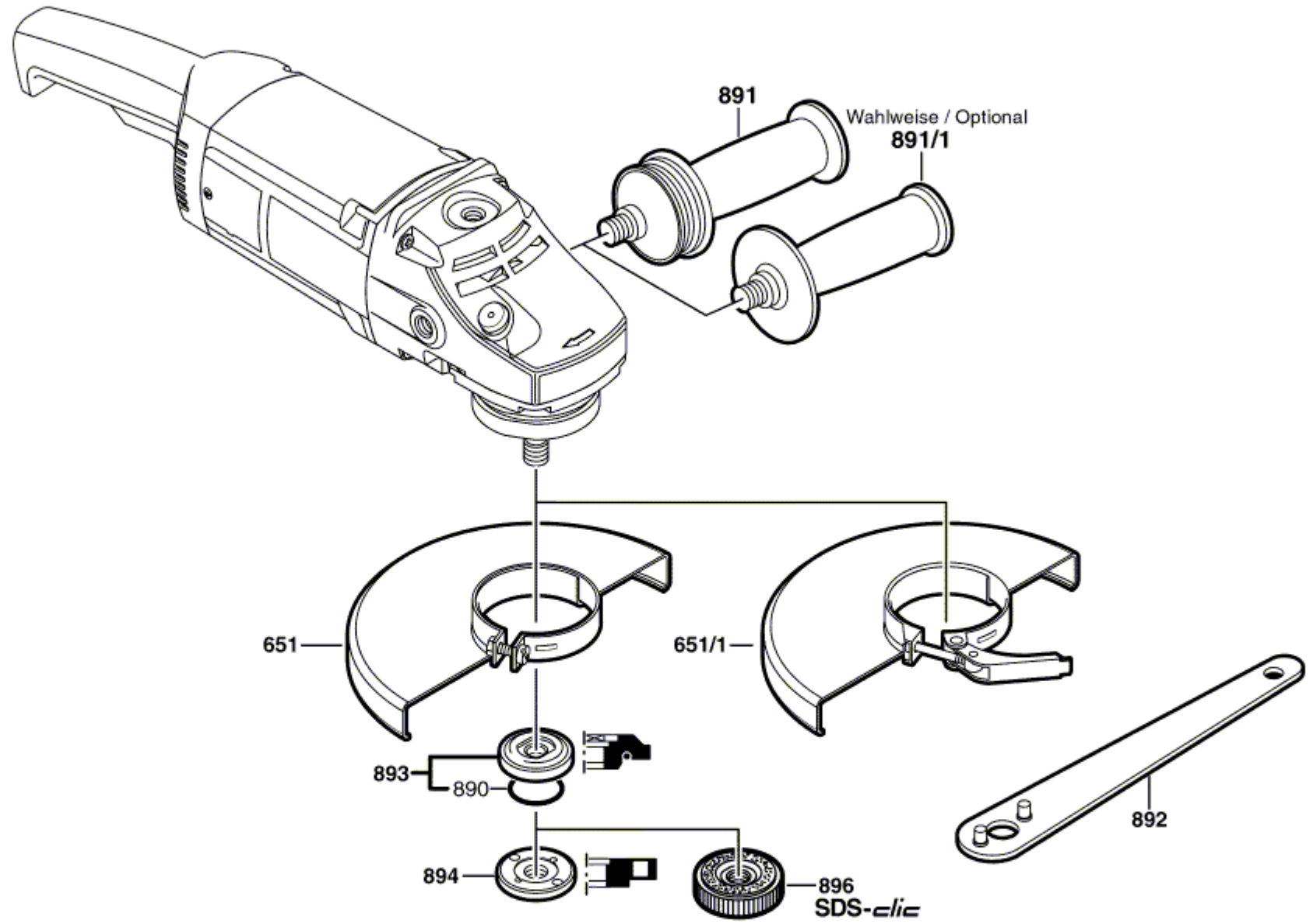


0 601 850 903 - 932

Stand } ~~11-01~~
Issue } 01-11-16

Fig./Abb. 2



Änderungen vorbehalten
Modifications reserved
Modificacions reserves
Salvo modificaciones