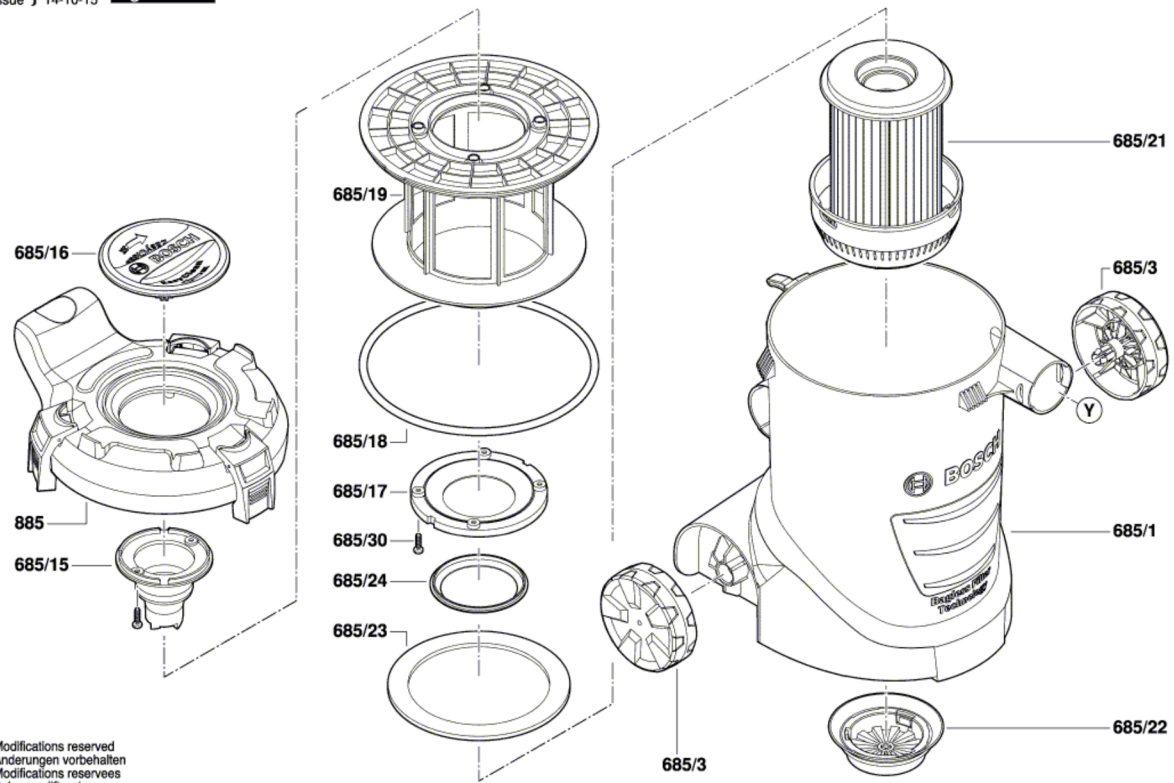


3 603 CC4 000
Stand } 14-07
Issue } 14-10-15

Fig. /Abb. 3



Modifications reserved
Änderungen vorbehalten
Modifications reserves
Salvo modificaciones